

SMT 6000 TS J

Thru Beam

Photoelectric Sensors

Compatible Receivers:

SMR 6006 TS J
 SMR 6106 TS J
 SMR 6206 TS J
 SMR 6306 TS J
 SMR 6406 TS J
 SMR 6506 TS J
 SMR 6002 TS J
 SMR 6102 TS J
 SMR 6202 TS J
 SMR 6302 TS J
 SMR 6402 TS J
 SMR 6502 TS J



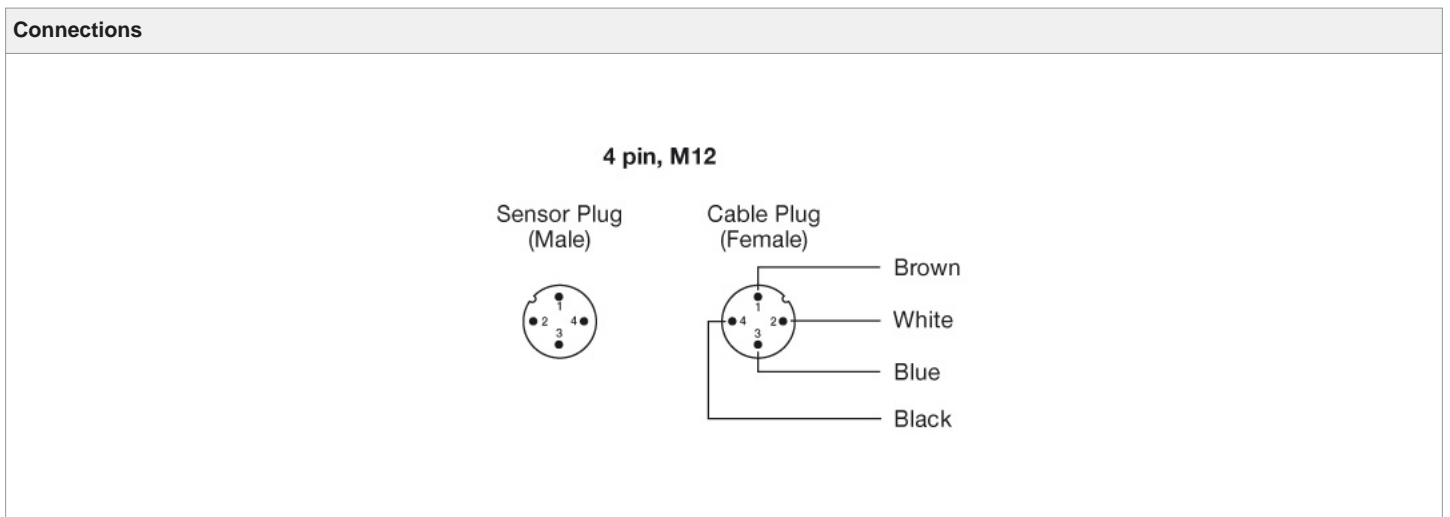
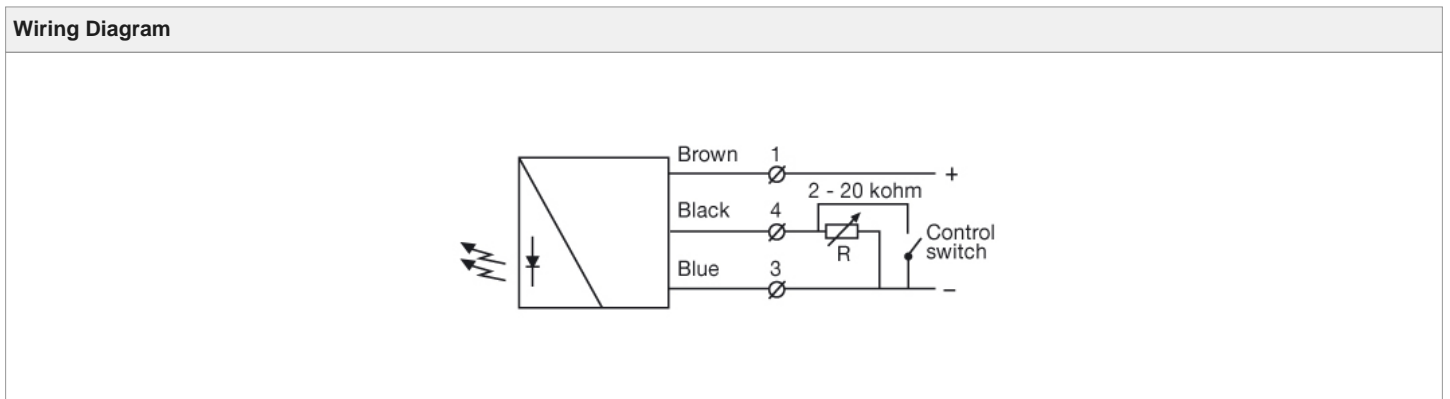
Product Data	
Function	Transmitter
Operation Mode	Thru Beam
Supply Voltage	10 - 32 V dc
Control Feature	Adjustable range and test input
Connection	4 pin, M12 plug
Sensing Range	6 m
Light Source	Infrared (880 nm)
Housing Material	Stainless Steel
Housing	M12 x 1

Technical Data	
Supply Voltage	10 - 32 V dc
Voltage Ripple	15 %
Reverse Polarity Protected	Yes
Current Consumption	Max. 320 mW
Test Input	Yes
Control Input	Adjustable range
Power On Indicator	Green LED
Light Source	Infrared (880 nm)
Emission Angle	+/- 10°
Housing Material, Front Lens	Polycarbonate
Housing Material, Sensor Housing	Stainless Steel (AISI 316 / 1.4401)

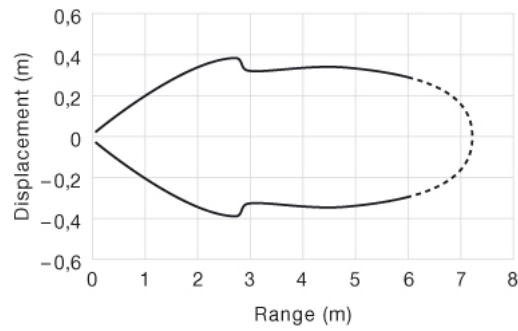
Cable	3 x 0,14 mm ²
Cable Sleeve	PVC Ø 4,0 mm

Environmental Data	
Vibration	10 - 55 Hz, 0.5 mm
Shock	30 g
Operation Temperature	-20 to +60 °C
Storage Temperature	-40 to +80 °C
Sealing Class	IP 67

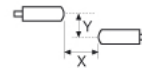
Approvals

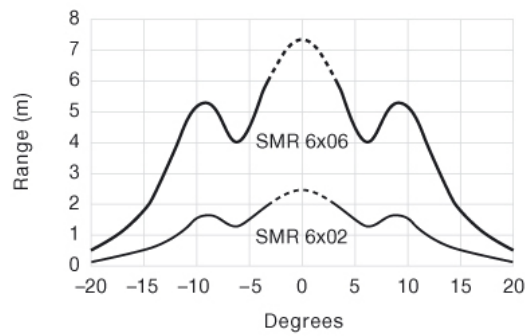
Parallel Displacement



SMT 6000 and SMR 6x06



Angular Displacement



SMT 6000



Dimensions

